

# ЭЛЕКТРО-ПНЕВМАТИЧЕСКИЕ ПОЗИЦИОНЕРЫ NEPR



Архангельск (8182)63-90-72  
Астана (7172)727-132  
Астрахань (8512)99-46-04  
Барнаул (3852)73-04-60  
Белгород (4722)40-23-64  
Брянск (4832)59-03-52  
Владивосток (423)249-28-31  
Волгоград (844)278-03-48  
Вологда (8172)26-41-59  
Воронеж (473)204-51-73  
Екатеринбург (343)384-55-89

Иваново (4932)77-34-06  
Ижевск (3412)26-03-58  
Иркутск (395)279-98-46  
Казань (843)206-01-48  
Калининград (4012)72-03-81  
Калуга (4842)92-23-67  
Кемерово (3842)65-04-62  
Киров (8332)68-02-04  
Краснодар (861)203-40-90  
Красноярск (391)204-63-61  
Курск (4712)77-13-04  
Липецк (4742)52-20-81

Магнитогорск (3519)55-03-13  
Москва (495)268-04-70  
Мурманск (8152)59-64-93  
Набережные Челны (8552)20-53-41  
Нижний Новгород (831)429-08-12  
Новокузнецк (3843)20-46-81  
Новосибирск (383)227-86-73  
Омск (3812)21-46-40  
Орел (4862)44-53-42  
Оренбург (3532)37-68-04  
Пенза (8412)22-31-16

Пермь (342)205-81-47  
Ростов-на-Дону (863)308-18-15  
Рязань (4912)46-61-64  
Самара (846)206-03-16  
Санкт-Петербург (812)309-46-40  
Саратов (845)249-38-78  
Севастополь (8692)22-31-93  
Симферополь (3652)67-13-56  
Смоленск (4812)29-41-54  
Сочи (862)225-72-31  
Ставрополь (8652)20-65-13







Сургут (3462)77-98-35  
Тверь (4822)63-31-35  
Томск (3822)98-41-53  
Тула (4872)74-02-29  
Тюмень (3452)66-21-18  
Ульяновск (8422)24-23-59  
Уфа (347)229-48-12  
Хабаровск (4212)92-98-04  
Челябинск (351)202-03-61  
Череповец (8202)49-02-64  
Ярославль (4852)69-52-93

Россия (495)268-04-70 Киргизия (996)312-96-26-47 Казахстан (772)734-952-31

Единый адрес для всех регионов: [www.powergenex.nt-rt.ru](http://www.powergenex.nt-rt.ru) || [pgf@nt-rt.ru](mailto:pgf@nt-rt.ru)

**Robust valve control device giving a confidence in reliable performance and outstanding durability under harsh working environments**

## Features

- ▶ Easy maintenance
- ▶ Precise calibration with simple SPAN and ZERO adjustments
- ▶ Simple conversion to direct acting or reverse acting
- ▶ 1/2 split range available
- ▶ Rugged aluminum housing with corrosion-resistant coating
- ▶ Vibration resistant design
- ▶ Stainless steel gauges standard
- ▶ Restricted pilot valve orifice kit for small actuators included
- ▶  KC-certified flameproof Ex dmb IIB+H<sub>2</sub> T6
- ▶  NEPSI-certified flameproof Ex dmb IIB+H<sub>2</sub> T6
- ▶  IECEX / KC-certified flameproof Ex dmb IIC T6/T5
- ▶  ATEX / TR-CU-certified flameproof Ex dmb IIC T6/T5
- ▶  IECEX / KC-certified intrinsically safe Ex ia IIC T6
- ▶  ATEX / TR-CU-certified flameproof Ex ia IIC T6

## Options

- ▶ Position transmitter (4...20 mA output signal)
- ▶ 2 x SPDT limit switch
- ▶ 2 x P&F proximity sensor NJ2 - V3 - N
- ▶ Visual dome indicator
  - ▶ High temperature (+120 °C)
  - ▶ Low temperature (-40 °C)

## Specifications

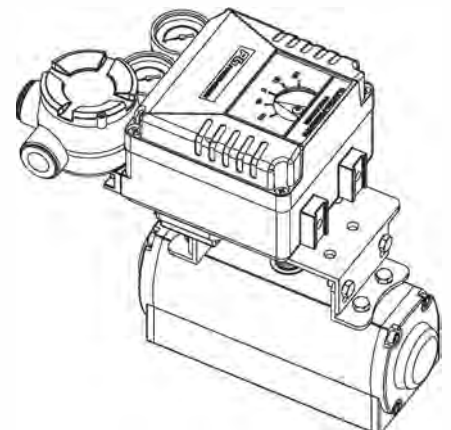
	<b>NEPR</b>	
	<b>Rotary Type (Cam Feedback)</b>	
	Single	Double
Input Signal	4~20 mA DC (Note. 1)	
Input Resistance	235 ± 15 Ω	
Air Supply	Max. 7.0 bar (100 psi) free of oil, water, and moisture	
Operating Angle	60 ~ 100° (Note. 2)	
Pneumatic Connections	PT(Rc) 1/4 or NPT 1/4	
Electrical Connections	PF(G) 1/2 or NPT 1/2	
Protection Class	Ex dmb IIB+H <sub>2</sub> T6 / Ex dmb IIC T6/T5 Ex ia IIC T6 / IP66	
Ambient Temperature	-20 ~ +70 °C (Note. 3)	
Pressure Gauge	Stainless steel	
Output Characteristics	Linear	
Linearity	Within ± 1.0 % F.S	Within ± 1.5 % F.S
Sensitivity	Within ± 0.5 % F.S	
Hysteresis	Within 1.0 % F.S	
Repeatability	Within ± 0.5 % F.S	
Air Consumption	5 LPM (Sup. 1.4 kgf/cm <sup>2</sup> )	
Flow Capacity	80 LPM (Sup. 1.4 kgf/cm <sup>2</sup> )	
Material	Aluminum die-cast	
Weight	3.5 kg (with terminal box) 3.2 kg (without terminal box)	

**Note** : 1) 1/2 split range is available for 4~12mA input signal or 12~20mA input signal  
2) Operating angle can be adjusted to 0~60° or 0~100°

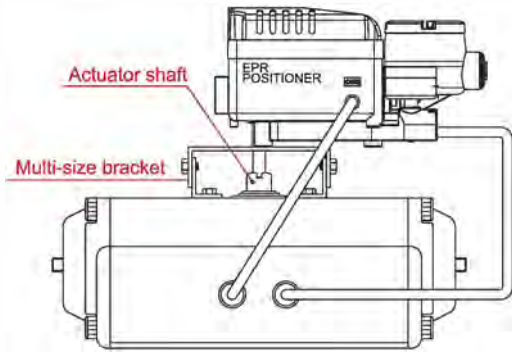
3) Temperature option : up to +120 °C without feedback options  
up to +85 °C with feedback options  
up to -40 °C without feedback options



**With Dome Indicator**

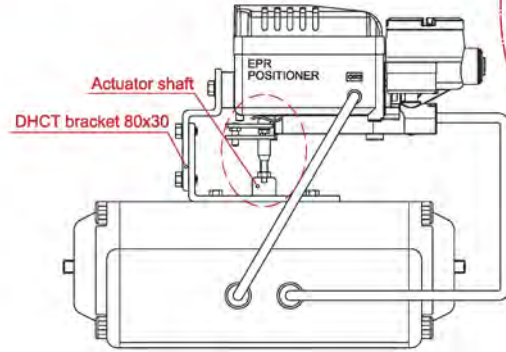


## Mounting



NAMUR Type Mounting

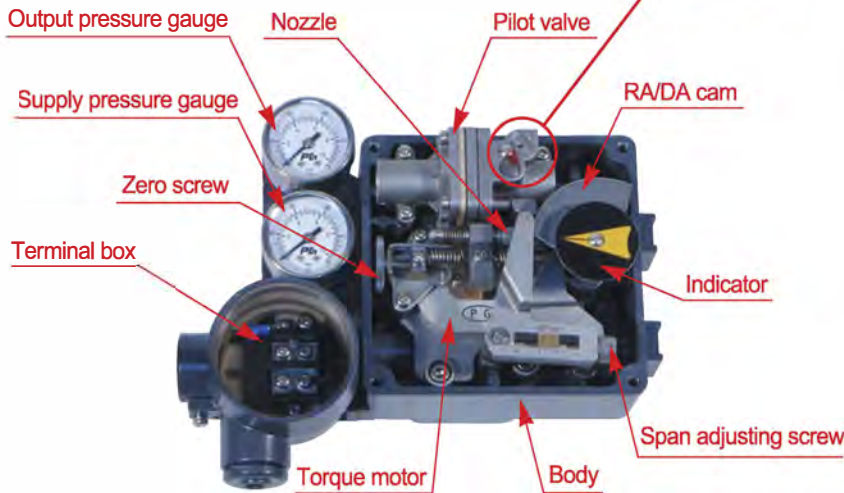
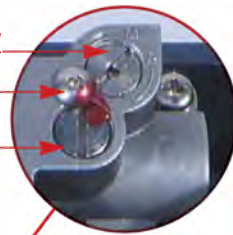
Note that feedback lever shaft "A" should be placed in the orifice of fork lever "B" and they should be in perfect alignment with a rotary actuator output shaft



Fork Lever Type Mounting

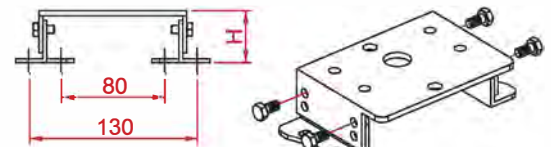
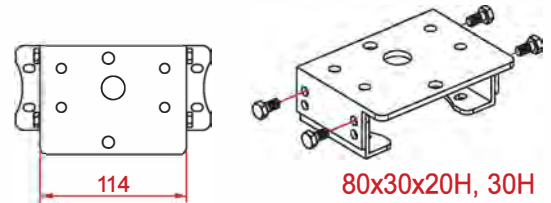
## Internal View

Auto/Manual screw  
Stopper screw  
Seat adjuster



## Multi-size Bracket

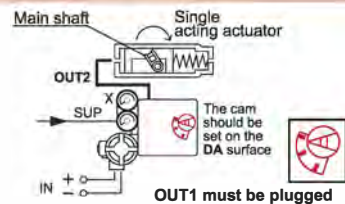
TYPE	H
80 x 30 x 20H	41
80 x 30 x 30H	51
130 x 30 x 20H	41
130 x 30 x 30H	51
130 x 30 x 50H	71



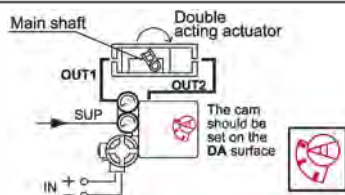
## Air Connections

### Direct Acting (DA)

As the input signal increases, Actuator stem rotates clockwise.

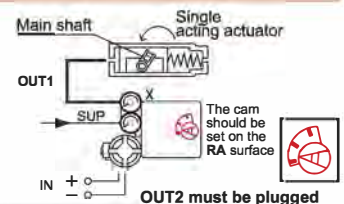


As the input signal increases, Actuator stem rotates clockwise.

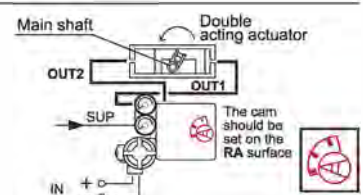


### Reverse Acting (RA)

As the input signal increases, Actuator stem rotates counter clockwise.

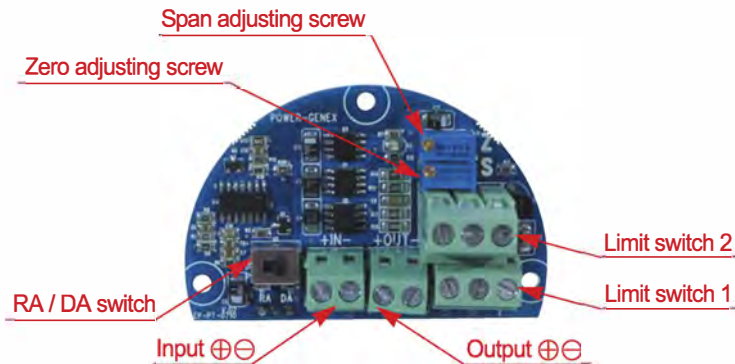


As the input signal increases, Actuator stem rotates counter clockwise.

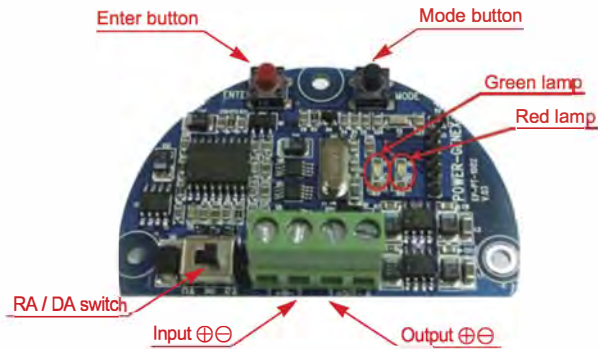


## Position Transmitter Options (Built-in Type)

### 1. Board View



< Analog Position Transmitter & Limit Switches >



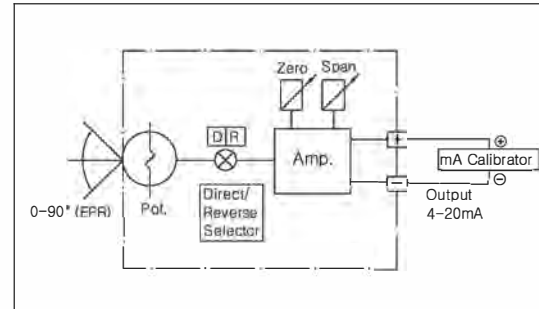
< Smart Position Transmitter >  
( Zero / Span Auto Setting )

### 2. Position Transmitter (4-20mA output signal)

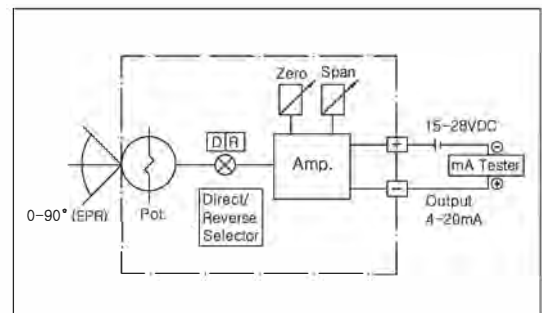
#### a. Specifications

Power Supply Rating	5.5 - 30 VDC loop power
Recommended Power Supply	24 VDC
Output Signal	4 - 20 mA, 2-wire
Operating Temperature	-20°C ~ +85°C
Load Impedance	0 ~ 600 ohms
Max. Output	30 mA DC
Linearity	±1.0 %
Hysteresis	1.0 % of full scale
Repeatability	±0.5 % of full scale
Adjustment	Zero and Span in terminal box

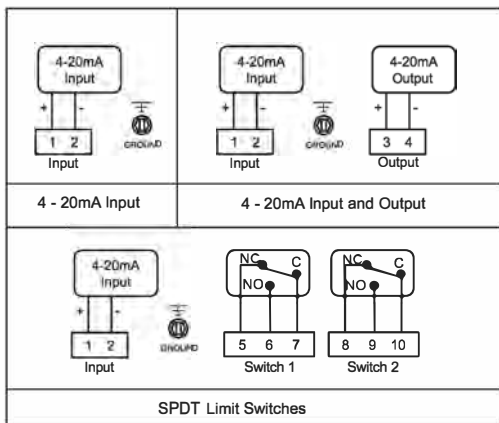
#### b. with mA calibrator



#### c. with multimeter



### 3. Wiring Diagram

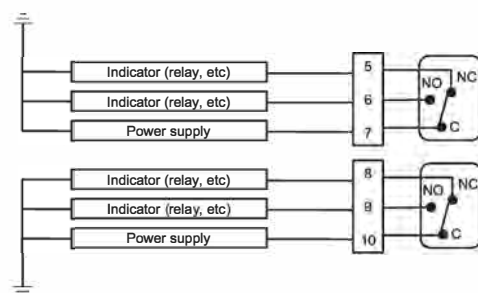


### 4. SPDT Limit Switches

#### a. Specifications

Contacts	SPDT Form C
AC Rating	16 A 1/2 HP 125/250 VAC
DC Rating	0.6 A 125 VDC / 0.3 A 250 VDC
Adjustment	Cams with set screws (L-wrench included for setting)

#### b. Wiring and Application

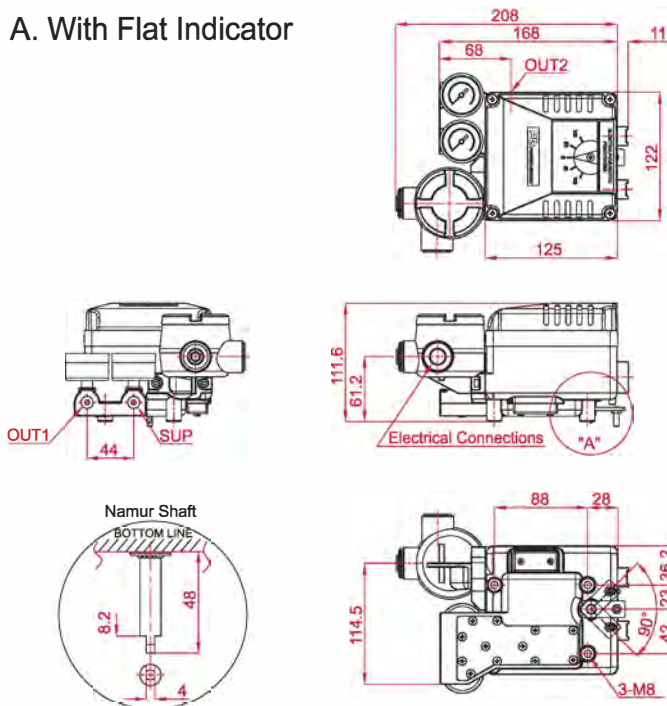


## How to Order

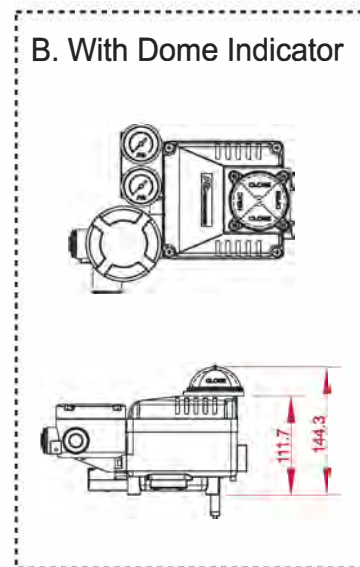
NEPR-	Protection Class	Feedback Shaft	Pressure Gauge (SUP. OUT)	Pilot Valve Orifice	Position Feedback	Connection Threads	Dome Indicator	Operating Temp.	Mounting Bracket
<b>Description</b>	<b>Code</b>								
<b>Protection Class :</b>	F : KC / NEPSI flameproof Ex dmb IIB+H <sub>2</sub> T6 A : KC flameproof Ex dmb IIC T6/T5 D : IECEX / ATEX / TR-CU flameproof Ex dmb IIC T6/T5 I : IECEX / ATEX / TR-CU / KC intrinsically safe Ex ia IIC T6 W : Weatherproof to IP66								
<b>Feedback Shaft :</b>	N : NAMUR shaft (direct mounting) A : Fork lever M6 x 40L B : Fork lever other size on request								
<b>Pressure Gauge :</b>	1 : 6 bar (90 psi) 2 : 10 bar (150 psi)								
<b>Pilot Valve Orifice :</b>	S : Standard (Actuator volume over 180cm <sup>3</sup> ) M : Small orifice (φ1.0 or φ0.7) (Actuator volume over 90 ~ 180cm <sup>3</sup> )								
<b>Position Feedback : (only for weatherproof type)</b>	N : None (standard) O : Analog position transmitter (4 ~ 20mA output signal) S : Smart position transmitter (4 ~ 20mA output signal) L : 2 x SPDT limit switch P : 2 x proximity sensor P&F NJ2-V3-N M : O + L Q : O + P								
<b>Description</b>	<b>Code</b>								
<b>Connection Threads : (pneumatic - electrical)</b>	3 : PT(Rc) 1/4 - PF(G) 1/2 (standard) 4 : NPT 1/4 - NPT 1/2 5 : PT(Rc) 1/4 - M20 x 1.5								
<b>Dome Indicator :</b>	N : Flat indicator (standard) D : Dome indicator								
<b>Operating Temperature : (only for weatherproof type)</b>	T : 70 °C (standard) H : 120 °C (without position feedback option) 85 °C (with position feedback option) L : - 40 °C (without position feedback option)								
<b>Mounting Bracket :</b>	N : None R : Multi-size NAMUR bracket for IEC 60534-6-2 / VDI/VDE 3845 (130x30x50 bracket on request) F : PG bracket 80x30 for fork lever type E : Multi-size NAMUR bracket for fork lever type (130x30x50 bracket on request)								

## Dimensions

A. With Flat Indicator



B. With Dome Indicator





Архангельск (8182)63-90-72  
 Астана (7172)727-132  
 Астрахань (8512)99-46-04  
 Барнаул (3852)73-04-60  
 Белгород (4722)40-23-64  
 Брянск (4832)59-03-52  
 Владивосток (423)249-28-31  
 Волгоград (844)278-03-48  
 Вологда (8172)26-41-59  
 Воронеж (473)204-51-73  
 Екатеринбург (343)384-55-89

Иваново (4932)77-34-06  
 Ижевск (3412)26-03-58  
 Иркутск (395)279-98-46  
 Казань (843)206-01-48  
 Калининград (4012)72-03-81  
 Калуга (4842)92-23-67  
 Кемерово (3842)65-04-62  
 Киров (8332)68-02-04  
 Краснодар (861)203-40-90  
 Красноярск (391)204-63-61  
 Курск (4712)77-13-04  
 Липецк (4742)52-20-81

Магнитогорск (3519)55-03-13  
 Москва (495)268-04-70  
 Мурманск (8152)59-64-93  
 Набережные Челны (8552)20-53-41  
 Нижний Новгород (831)429-08-12  
 Новокузнецк (3843)20-46-81  
 Новосибирск (383)227-86-73  
 Омск (3812)21-46-40  
 Орел (4862)44-53-42  
 Оренбург (3532)37-68-04  
 Пенза (8412)22-31-16

Пермь (342)205-81-47  
 Ростов-на-Дону (863)308-18-15  
 Рязань (4912)46-61-64  
 Самара (846)206-03-16  
 Санкт-Петербург (812)309-46-40  
 Саратов (845)249-38-78  
 Севастополь (8692)22-31-93  
 Симферополь (3652)67-13-56  
 Смоленск (4812)29-41-54  
 Сочи (862)225-72-31  
 Ставрополь (8652)20-65-13

Сургут (3462)77-98-35  
 Тверь (4822)63-31-35  
 Томск (3822)98-41-53  
 Тула (4872)74-02-29  
 Тюмень (3452)66-21-18  
 Ульяновск (8422)24-23-59  
 Уфа (347)229-48-12  
 Хабаровск (4212)92-98-04  
 Челябинск (351)202-03-61  
 Череповец (8202)49-02-64  
 Ярославль (4852)69-52-93

Россия (495)268-04-70 Киргизия (996)312-96-26-47 Казахстан (772)734-952-31

Единый адрес для всех регионов: [www.powergenex.nt-rt.ru](http://www.powergenex.nt-rt.ru) || [pgf@nt-rt.ru](mailto:pgf@nt-rt.ru)