

СОЛЕНОИДНЫЕ КЛАПАНЫ

ESV-3 Series



Архангельск (8182)63-90-72
Астана (7172)727-132
Астрахань (8512)99-46-04
Барнаул (3852)73-04-60
Белгород (4722)40-23-64
Брянск (4832)59-03-52
Владивосток (423)249-28-31
Волгоград (844)278-03-48
Вологда (8172)26-41-59
Воронеж (473)204-51-73
Екатеринбург (343)384-55-89

Иваново (4932)77-34-06
Ижевск (3412)26-03-58
Иркутск (395)279-98-46
Казань (843)206-01-48
Калининград (4012)72-03-81
Калуга (4842)92-23-67
Кемерово (3842)65-04-62
Киров (8332)68-02-04
Краснодар (861)203-40-90
Красноярск (391)204-63-61
Курск (4712)77-13-04
Липецк (4742)52-20-81

Магнитогорск (3519)55-03-13
Москва (495)268-04-70
Мурманск (8152)59-64-93
Набережные Челны (8552)20-53-41
Нижний Новгород (831)429-08-12
Новокузнецк (3843)20-46-81
Новосибирск (383)227-86-73
Омск (3812)21-46-40
Орел (4862)44-53-42
Оренбург (3532)37-68-04
Пенза (8412)22-31-16

Пермь (342)205-81-47
Ростов-на-Дону (863)308-18-15
Рязань (4912)46-61-64
Самара (846)206-03-16
Санкт-Петербург (812)309-46-40
Саратов (845)249-38-78
Севастополь (8692)22-31-93
Симферополь (3652)67-13-56
Смоленск (4812)29-41-54
Сочи (862)225-72-31
Ставрополь (8652)20-65-13


Сургут (3462)77-98-35
Тверь (4822)63-31-35
Томск (3822)98-41-53
Тула (4872)74-02-29
Тюмень (3452)66-21-18
Ульяновск (8422)24-23-59
Уфа (347)229-48-12
Хабаровск (4212)92-98-04
Челябинск (351)202-03-61
Череповец (8202)49-02-64
Ярославль (4852)69-52-93

Россия (495)268-04-70 Киргизия (996)312-96-26-47 Казахстан (772)734-952-31

Единый адрес для всех регионов: www.powergenex.nt-rt.ru || pgf@nt-rt.ru

1. Introduction

1.1 General Information

This instruction and operating manual contains important notices the user should observe for a personal safety as well as for prevention against damage to property. Notices concerning a personal safety are highlighted by a safety alert symbol (.

1.2 General Safety Instructions

This product was delivered out from the factory without any safety problems after a strict quality management process. In order to maintain this status and ensure a safe operation of this product, please be sure to read all safety instructions carefully described in this manual and observe safety information and symbols without exception.

1.3 Correct Usage

- ① This product can be used only for purposes specified in these instructions. If they are not definitely stated in these instructions, the user is fully responsible for all changes and retrofits to this product.
- ② This product is the electrostatic sensitive device that may be seriously damaged by voltages undetectable to a human. These kinds of voltages occur as soon as a electronic component or an assembly is touched by a person who is not grounded against a static electricity. Damage to a electronic component as a result of overvoltage cannot usually be detected immediately. It may become apparent after a long period of operation. Therefore, please make sure to avoid electrostatic charge.

1.4 Range and Responsibilities of Personnel

- ① Qualified personnel should be trained, instructed or authorized in operating and maintaining products and systems according to the safety regulations for electrical circuits, high voltages and hazardous atmosphere.
- ② For explosion proof products, they should be trained, instructed or authorized in carrying out work on electrical circuits for hazardous systems.
- ③ They should be trained or instructed in maintenance and use of proper safety equipment according to the safety instructions.
- ④ They should have a good experience to identify risks and avoid potential hazards when working with these products and systems.

1.5 Transport and Storage

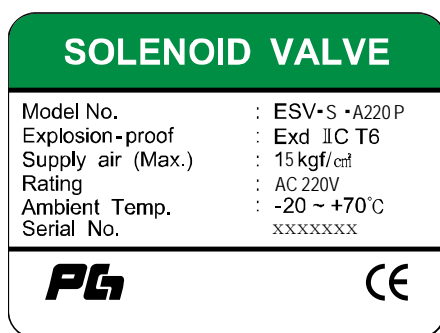
Make sure that damages during delivery are prevented through proper packaging.

Products and replacement parts should be returned in their original packaging. If the original packaging is no longer available, please ensure that they should be packaged to provide sufficient protection against transport.

2. Specifications

		ESV-3	
Operating Air pressure	1.5 ~ 10 bar		
Supply Air Pressure (Max.)	15 bar		
Operating Voltage : Current	AC 220V : 17mA AC 110V : 55mA DC 24V : 138mA		
Voltage Tolerance	±10%		
Explosion proof class	Exd IIC T6 (KC-certified)		
Operating Ambient Temp.	-20 ~ +60°C		
Flow Capacity(Cv)	145 L/min at 6 bar supply air		
Mounting Configuration	Screw interface		
Pneumatic Connections	PT 1/4 or NPT 1/4		
Electrical Connections	G 1/2, NPT 1/2 or M20		
Coil Insulation Grade	Class F or H		
Duty Cycle	100%		
Material (body)	Aluminum	316SS	
Weight	0.5Kg	1Kg	

3. Part Numbering System (order code)



Model No.	ESV - 3	x	x	x
Material	Aluminum 316SS	.	S	
Operating Voltage	AC 220 AC 110 DC 24		A220 A110 D24	
Connections (Pneumatic - Electrical)	Rc 1/4 - G1/2 NPT 1/4 - NPT 1/2			P N

4. Manual Switch

The ESV solenoid valve can be operated by this switch manually while air is supplied.

- Initial setting "0" : the ESV solenoid valve works with a power voltage.
- Manual operation "1" : Port 4 is open regardless of a power voltage.

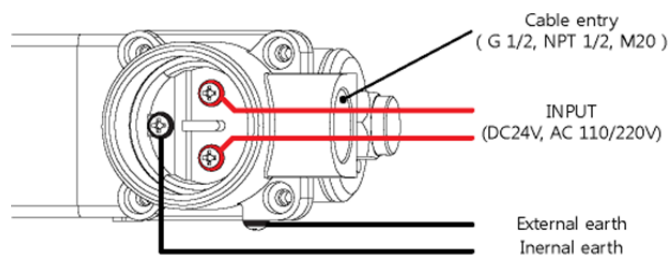
When power is off and the manual switch is positioned to "0", Port 2 becomes open. When the manual switch is positioned to "1", Port 4 becomes open.

 Note that the manual switch is not active when power is off.

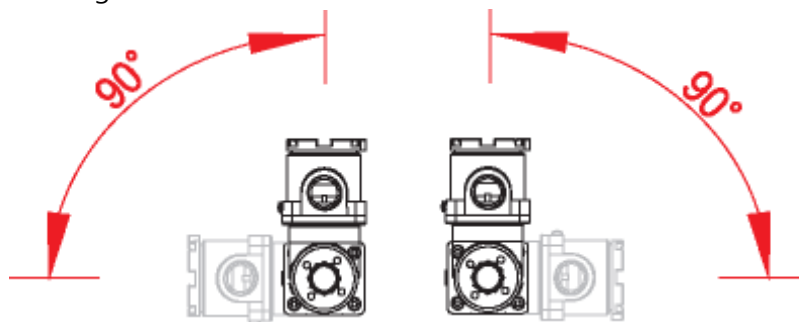
5. Electrical Connections



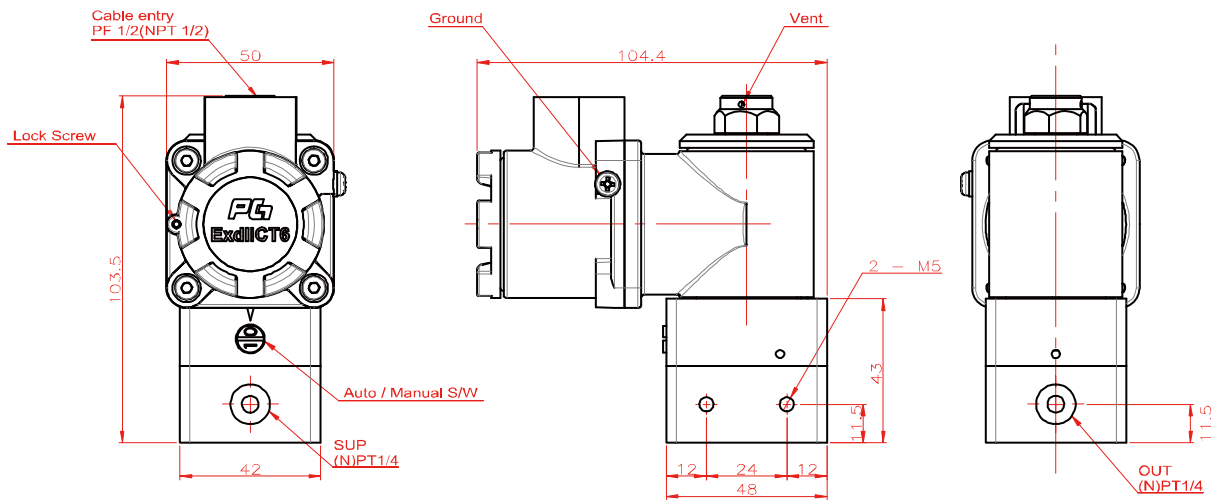
- ① Supply the rated voltage and current stated on this manual. Otherwise, it may cause a serious damage or malfunctions.
- ② Observe all explosion proof regulations required in the area..
- ③ Earth internally and externally before using.



The ESV solenoid valve head can be rotated by 90° to the right or to the left for an optimal mounting as shown below.



6. Dimensions



- | | | | | |
|-----------------------------|----------------------------|---------------------------------|--------------------------------|--------------------------|
| Архангельск (8182)63-90-72 | Иваново (4932)77-34-06 | Магнитогорск (3519)55-03-13 | Пермь (342)205-81-47 | Сургут (3462)77-98-35 |
| Астана (7172)727-132 | Ижевск (3412)26-03-58 | Москва (495)268-04-70 | Ростов-на-Дону (863)308-18-15 | Тверь (4822)63-31-35 |
| Астрахань (8512)99-46-04 | Иркутск (395)279-98-46 | Мурманск (8152)59-64-93 | Рязань (4912)46-61-64 | Томск (3822)98-41-53 |
| Барнаул (3852)73-04-60 | Казань (843)206-01-48 | Набережные Челны (8552)20-53-41 | Самара (846)206-03-16 | Тула (4872)74-02-29 |
| Белгород (4722)40-23-64 | Калининград (4012)72-03-81 | Нижний Новгород (831)429-08-12 | Санкт-Петербург (812)309-46-40 | Тюмень (3452)66-21-18 |
| Брянск (4832)59-03-52 | Калуга (4842)92-23-67 | Новокузнецк (3843)20-46-81 | Саратов (845)249-38-78 | Ульяновск (8422)24-23-59 |
| Владивосток (423)249-28-31 | Кемерово (3842)65-04-62 | Новосибирск (383)227-86-73 | Севастополь (8692)22-31-93 | Уфа (347)229-48-12 |
| Волгоград (844)278-03-48 | Киров (8332)68-02-04 | Омск (3812)21-46-40 | Симферополь (3652)67-13-56 | Хабаровск (4212)92-98-04 |
| Вологда (8172)26-41-59 | Краснодар (861)203-40-90 | Орел (4862)44-53-42 | Смоленск (4812)29-41-54 | Челябинск (351)202-03-61 |
| Воронеж (473)204-51-73 | Красноярск (391)204-63-61 | Оренбург (3532)37-68-04 | Сочи (862)225-72-31 | Череповец (8202)49-02-64 |
| Екатеринбург (343)384-55-89 | Курск (4712)77-13-04 | Пенза (8412)22-31-16 | Ставрополь (8652)20-65-13 | Ярославль (4852)69-52-93 |
| | Липецк (4742)52-20-81 | | | |

Россия (495)268-04-70 Киргизия (996)312-96-26-47 Казахстан (772)734-952-31